



FT-20-RD Centrifugal Feeder
 Designed for Quiet, High Speed Feeding



Product Overview:

Hoppmann's standard FT-20 rigid disc centrifugal feeder is designed to feed a variety of products with it's unique bowl design. Product is metered into the bowl and brought out to the bowl rim where a series of qualifiers gently orient the part for transfer to various downstream inline devices.

Product Specifications:

	<u>ANSI</u>	<u>Metric</u>
A. Outside Diameter	27.24"	692mm
B. Frame Height	24.25"	616mm
C. Discharge Height	15.66" ± 2"	398mm ± 51mm
D. Bowl Outside Diameter	25.75"	654mm
E. Bowl Inside Diameter	20.25"	514mm
F. Rim Width	2.75"	70mm
G. Bowl Depth	2.5"	64mm
H. Level Foot Adjustment	1.75"	44mm

Standard Models:

	<u>FT201RLDSA</u>	<u>FT201RLASA</u>
Part Number		
Motor Style	DC	AC
Motor Voltage	90V	180V
Horsepower	1/5 hp	149 W

Required Accessories:

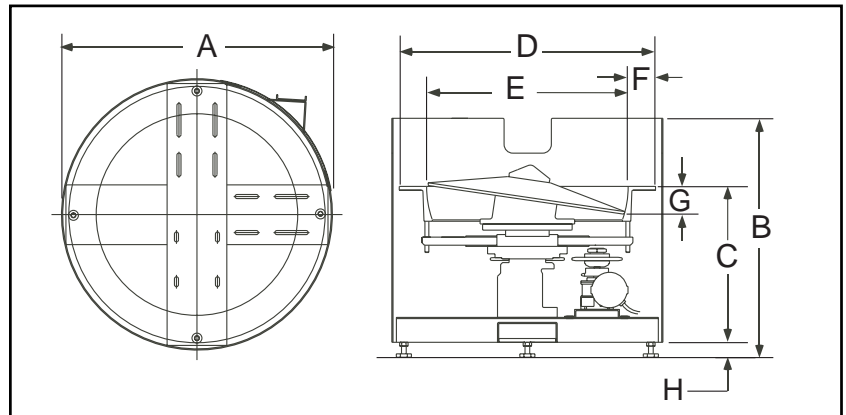
	<u>CW</u>	<u>CCW</u>
Square Frame		
Backup Ring	BUCWFT20SU	BUCCF20SU

Standard Features:

- All stainless steel construction
- Square tooling frame
- FDA approved ABS vacuum formed disc
- Teflon hard-coated finished aluminium bowl
- Panel mount controller card

Available Options:

- Polycarbonate covers
- Dual motor drive system
- Washdown motor(s)
- NEMA 1 encased controller



Hoppmann Corporation strives to improve its products and reserves the right to change or discontinue specifications & designs shown in this brochure without notice and without incurring obligation. 06/05

We Can Handle It.

Your Local Representative:

Automatic Feeder Company Inc.
 921 Albion Avenue Schaumburg, IL 60193-4550
 Phone: (847) 534-2300 Toll-Free: (888) 534-2340 Fax: (847) 534-2354
 www.automaticfeeder.com Email: sales@automaticfeeder.com

