



## FT-40-RD Centrifugal Feeder

*Designed for Quiet, High Speed Feeding*



**Product Overview:**

Hoppmann's standard FT-40 rigid disc centrifugal feeder is designed to feed a variety of products with its unique bowl design. Product is metered into the bowl and brought out to the bowl rim where a series of qualifiers gently orient the part for transfer to various downstream inline devices.

**Product Specifications:**

|                          | <u>ANSI</u> | <u>Metric</u> |
|--------------------------|-------------|---------------|
| A. Outside Diameter      | 59"         | 1499mm        |
| B. Frame Height          | 47" ± 1.5"  | 1194mm ± 40mm |
| C. Discharge Height      | 36" ± 2"    | 914mm ± 51mm  |
| D. Bowl Outside Diameter | 43.46"      | 1104mm        |
| E. Bowl Inside Diameter  | 36.25"      | 921mm         |
| F. Rim Width             | 3.61"       | 92mm          |
| G. Bowl Depth            | 5.40"       | 137mm         |
| H. Level Foot Adjustment | 3.00" ± 1"  | 76mm ± 25mm   |

**Standard Models:**

|               | <u>FT401RLDSA</u> | <u>FT401RLASA</u> |
|---------------|-------------------|-------------------|
| Part Number   | DC                | AC                |
| Motor Style   | 90V               | 230/460V          |
| Motor Voltage | 1/2 hp            | 373 W             |
| Horsepower    |                   |                   |

**Required Accessories:**

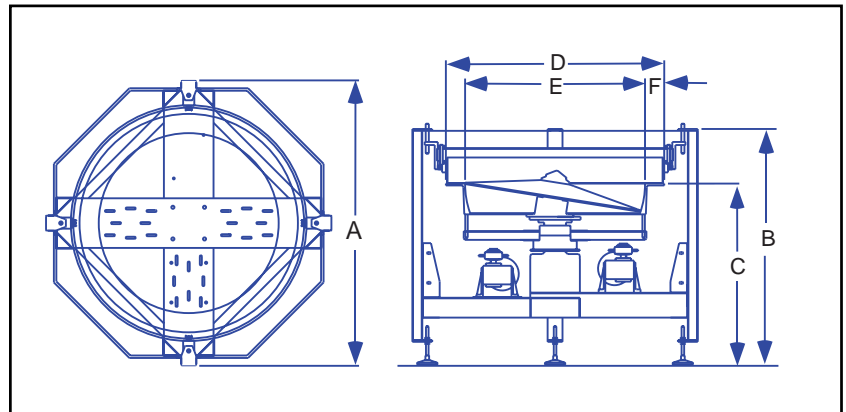
|                   | <u>CW</u>  | <u>CCW</u> |
|-------------------|------------|------------|
| Backup Ring ..... | BUCWFT40SU | BUCCT40SU  |

**Standard Features:**

- All stainless steel construction
- FDA approved ABS vacuum formed disc
- Teflon hard-coated finished aluminium bowl
- Panel mount controller card

**Available Options:**

- Polycarbonate covers
- Dual motor drive system
- Washdown motor(s)
- NEMA 1 encased controller



Hoppmann Corporation strives to improve its products and reserves the right to change or discontinue specifications & designs shown in this brochure without notice and without incurring obligation. 06/05

**We Can Handle It.**

**Your Local Representative:**

Automatic Feeder Company Inc.  
 921 Albion Avenue Schaumburg, IL 60193-4550  
 Phone: (847) 534-2300 Toll-Free: (888) 534-2340 Fax: (847) 534-2354  
 www.automaticfeeder.com Email: sales@automaticfeeder.com

