



## EP-04/EP-06 Elevating Prefeeder

Designed for Floor Level Parts Loading



### Product Overview:

Hoppmann's standard EP-04/EP-06 elevating prefeeder is designed to handle a variety of small, lightweight parts. Its four (4) cubic foot capacity hopper delivers product at an average belt speed of 35 feet per minute. The cleated elevator belt has a nominal cleat height of 1.50" and a cleat pitch of 6.00" allowing for maximum product loading. A heavy duty variable speed motor helps to ensure proper product metering.

### Product Specifications:

	<u>ANSI</u>	<u>Metric</u>
A. Overall Width	26"	660mm
B. Overall Length	55"	1397mm
C. Lower Chassis Footprint	39.13"	994mm
D. Dump Height (Adjustable)	40"-46"	1016-1168mm
E. Hopper Load Height (4 ft <sup>3</sup> )	34.5"	876mm
Hopper Load Height (6 ft <sup>3</sup> )	39.5"	1003mm
F. Belt Width	6"	152mm

### Standard Models:

Part Number	<u>EP0406XDSA</u>	<u>EP0406XASA</u>
Motor Style	DC	AC
Motor Voltage	130V	208-230/460V
Horsepower	1/8 hp	186 W
Total Equipment Weight	250 lbs.	113 kg
Hopper Capacity (EP-4)	4 ft <sup>3</sup>	113 liters
Hopper Capacity (EP-6)	6 ft <sup>3</sup>	170 liters

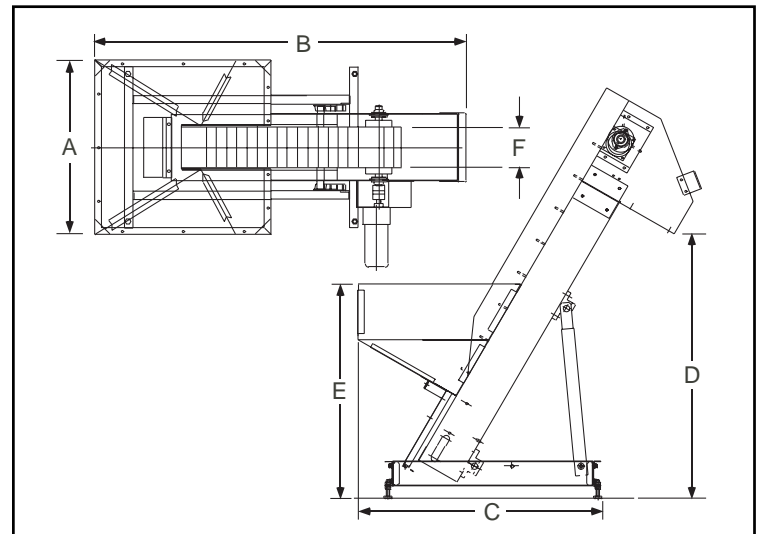
### Standard Features:

- All stainless steel construction
- Belting is FDA/USDA approved white 1-ply solid woven polyester fabric with 1/16" thick white PVC coating and PVC cleats
- Panel mount controller card
- Mechanical style level sensor mounting kit – proximity sensor not included (P/N LEVSENPKG1)

### Available Options:

- Elevator extensions\*
- Hopper extension for 6 ft<sup>3</sup> capacity
- Continuous welded hopper seams
- Elevator/hopper covers
- Modular plastic chain upgrade
- Washdown motor
- NEMA 1 encased controller
- Pneumatic hopper agitator (P/N AGITATOREP04)
- Casters

\*It is strongly recommended that the frame of the prefeeder be reinforced and/or additionally supported for elevator extensions of 36" or greater.



Hoppmann Corporation strives to improve its products and reserves the right to change or discontinue specifications & designs shown in this brochure without notice and without incurring obligation. 06/05

## We Can Handle It.

### Your Local Representative:

Automatic Feeder Company Inc.  
921 Albion Avenue Schaumburg, IL 60193-4550  
Phone: (847) 534-2300 Toll-Free: (888) 534-2340 Fax: (847) 534-2354  
www.automaticfeeder.com Email: sales@automaticfeeder.com

**automatic  
feeder  
company** INC