

EP-08/EP-15/EP-25 Elevating Prefeeder

Designed for Floor Level Parts Loading



Product Overview:

Hoppmann's standard EP-08/EP-15/EP-25 elevating prefeeder is designed to handle a variety of medium-sized, light weight parts. Its eight (8) cubic foot capacity hopper delivers product at an average belt speed of 32 feet per minute. The cleated elevator belt has a nominal cleat height of 2.00" and a cleat pitch of 6.00" allowing for maximum product loading. A heavy duty variable speed motor helps to ensure proper product metering.

Product Specifications:

	<u>ANSI</u>	<u>Metric</u>
A. Overall Width	42"	1067mm
B. Overall Length	63"	1600mm
C. Lower Chassis Footprint	63.10"	1603mm
D. Dump Height (Adjustable)	42"-53"	1067-1346mm
E. Hopper Load Height (8 ft ³)	34"	864mm
Hopper Load Height (15 ft ³)	42"	1067mm
Hopper Load Height (25 ft ³)	50"	1270mm
F. Belt Width	8"	203mm

Standard Features:

- All stainless steel construction
- Belting is FDA/USDA approved white 1-ply solid woven polyester fabric with 1/16" thick white PVC coating and PVC cleats
- Hopper cleanout door
- One piece formed hopper (EP-08)
- Panel mount controller card
- Mechanical style level sensor mounting kit – proximity sensor not included (P/N LEVSENPKG1)

Available Options:

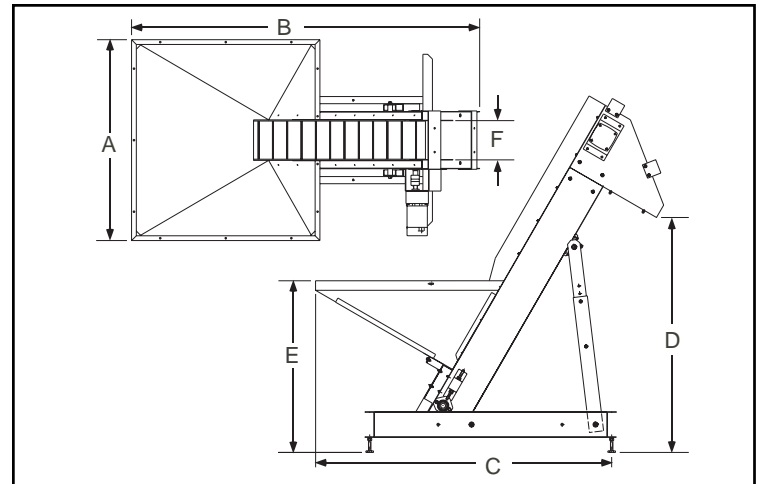
- Elevator extensions*
- Hopper extension for 15 and 25 ft³ capacity
- Continuous welded hopper seams (EP-15/EP-25)
- Elevator/hopper covers
- Modular plastic chain upgrade
- Washdown motor
- NEMA 1 encased controller
- Pneumatic hopper agitator (P/N AGITATOREP08)
- Casters

**It is strongly recommended that the frame of the prefeeder be reinforced and/or additionally supported for elevator extensions of 36" or greater.*

We Can Handle It.

Standard Models:

Part Number	<u>EP0808XDSA</u>	<u>EP0808XASA</u>
Motor Style	DC	AC
Motor Voltage	130V	230/460V
Horsepower	1/4 hp	186 W
Total Equipment Weight	720 lbs.	327 kg
Hopper Capacity (EP-8)	8 ft ³	227 liters
Hopper Capacity (EP-15)	15 ft ³	425 liters
Hopper Capacity (EP-25)	25 ft ³	708 liters



Hoppmann Corporation strives to improve its products and reserves the right to change or discontinue specifications & designs shown in this brochure without notice and without incurring obligation. 06/05

Your Local Representative:

Automatic Feeder Company Inc.
 921 Albion Avenue Schaumburg, IL 60193-4550
 Phone: (847) 534-2300 Toll-Free: (888) 534-2340 Fax: (847) 534-2354
 www.automaticfeeder.com Email: sales@automaticfeeder.com

**automatic
feeder
company** INC